

Installation/Operating Instructions

Star Spring Roller Operated Projection Screen by Draper

Caution

- ① Read and understand these instructions; keep them for future reference. Follow instructions carefully.
 - ② Care in both mounting and correct operation will mean long and satisfactory service from your Draper screen.
 - ③ Locate the screen where the audience can best see it, and where other room furnishings permit.
 - ④ Mount the screen so that the bottom of the picture, when screen is fully extended, will be above the heads of viewers.
 - ⑤ Screen should be installed level (using a carpenter's level).
 - ⑥ Nothing should be fastened to screen dowel or viewing surface.
- NOTE:** Screen has been thoroughly inspected and tested at factory and found to be operating prior to shipment.

Installation

Your Draper screen can be mounted on a wall or suspended from the ceiling or extension brackets. It must be mounted level and with the flat back parallel to the wall.

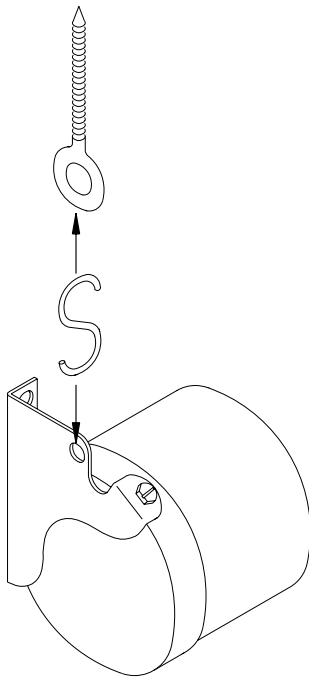
To reduce the risk of personal injury, use only the hardware which comes with the screen or is specified in these instructions.

The screen (or extension brackets) should be mounted into studs or blocking in the wall/ceiling, or in drywall (minimum thickness 1/2") with specified anchors. For any other type of installation, follow all local building and safety codes.

Steel studs, concrete or cinder block walls and all other types of non-wood frame construction require the use of special screws or anchors.

The selection of appropriate mounting hardware should be made by a qualified professional installer.

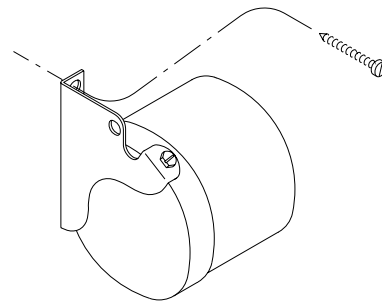
Ceiling Suspended (Hardware not Included)



Use the holes at the front of the mounting bracket for suspended mounting. Position and properly anchor screw eyes or other fasteners (not included) into ceiling joists or other solid surface. Suspend "S" hooks (not included) from fasteners and hook (not included) through holes in the front of the mounting bracket. For added safety, crimp the "S" hooks so the screen cannot come off.

Recommended hardware: For mounting into wood or ceiling joist, use two 3/16" x 1 1/4" screw eyes and 3/16" diameter "S" hooks; for mounting into drywall (minimum 1/2" thick), use 3/16" toggle or molly bolts with 3/16" "S" hooks.

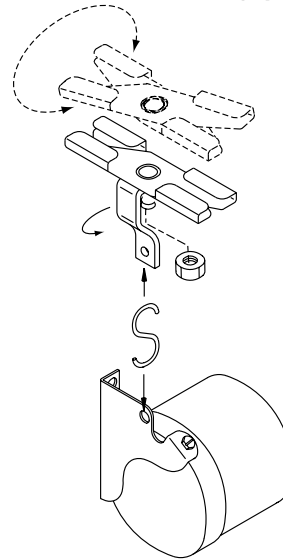
Wall Mounting (Hardware not Included)



Use the holes at the back of the mounting bracket for flush wall mounting.

Recommended hardware: For mounting into wood or wall stud, use #10 x 1 1/4" wood screws; for mounting into drywall (minimum 1/2" thick), use 3/16" toggle bolts or 3/16" molly bolts.

T-Bar Twist Clips (Optional Equipment)

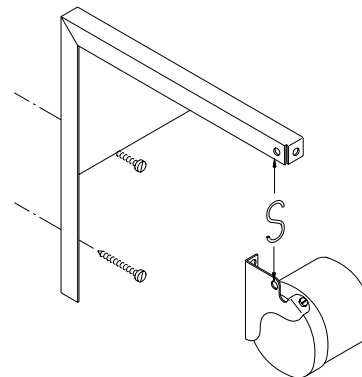


Loosen the clip assembly by turning the formed steel hanger counterclockwise. Spread the clip assembly apart, place over the T-irons, and firmly squeeze the clip assembly back together, making sure the clip is firmly seated around the T-iron. Retighten by turning the formed steel hanger clockwise. Secure with the lock nut.

Suspend "S" hooks (not included) from the holes in the clips and hook through holes in the front of the screen mounting bracket. For added safety, crimp the "S" hooks so the screen cannot come off.

T-Bar Twist Clips are not recommended for screens larger than 70" x 70" unless T-irons are reinforced.

Extension Brackets (Optional Equipment)



Wall mount the brackets (not included with screen) using hardware recommended for "Wall Mounting" (above). Then, suspend the screen from the front holes with "S" hooks. For a more rigid installation, mount the screen from the back holes to the front of the bracket (as in "Wall Mounting" above) by using the screws and nuts provided with the brackets.

Operating Instructions

To lower picture surface, pull screen down. *Hesitate*—then allow screen to retract *very slowly* until it locks in place.

To raise picture surface, pull down on the pull bail, then raise quickly, as a window shade. Keep control of the picture surface. Do not allow it to roll uncontrolled into the case, or damage is sure to result.

DRAPER